

Keys to Effective Digital Permitting and Safety



PROMETHEUS GROUP



PROMETHEUS GROUP

Panelists:

Sean McWhirter – Global Solution Engineering Manager

Woody Robinson – Senior Solution Engineer

Agenda

- Current state of permitting
- Considerations when going digital
- Why process improvements go beyond removing paper
- How to go from paper to digital permitting
- Ways to streamline your safety workflows and processes
- EPAS digital permitting enhancements



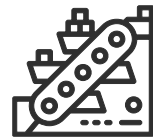
Prometheus Group

- Founded in 1998
- Headquartered in Raleigh, NC, USA
- 21 global offices
- Integrated and intuitive software
- Partnerships with industry leading companies



TOP 10

Oil & Gas



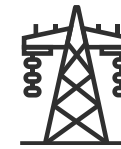
TOP 8

Mining & Metals



TOP 8

Pulp & Paper



TOP 8

Utilities



TOP 6

Chemical



PROMETHEUS GROUP

SAP® Certified
Integration with SAP S/4HANA®

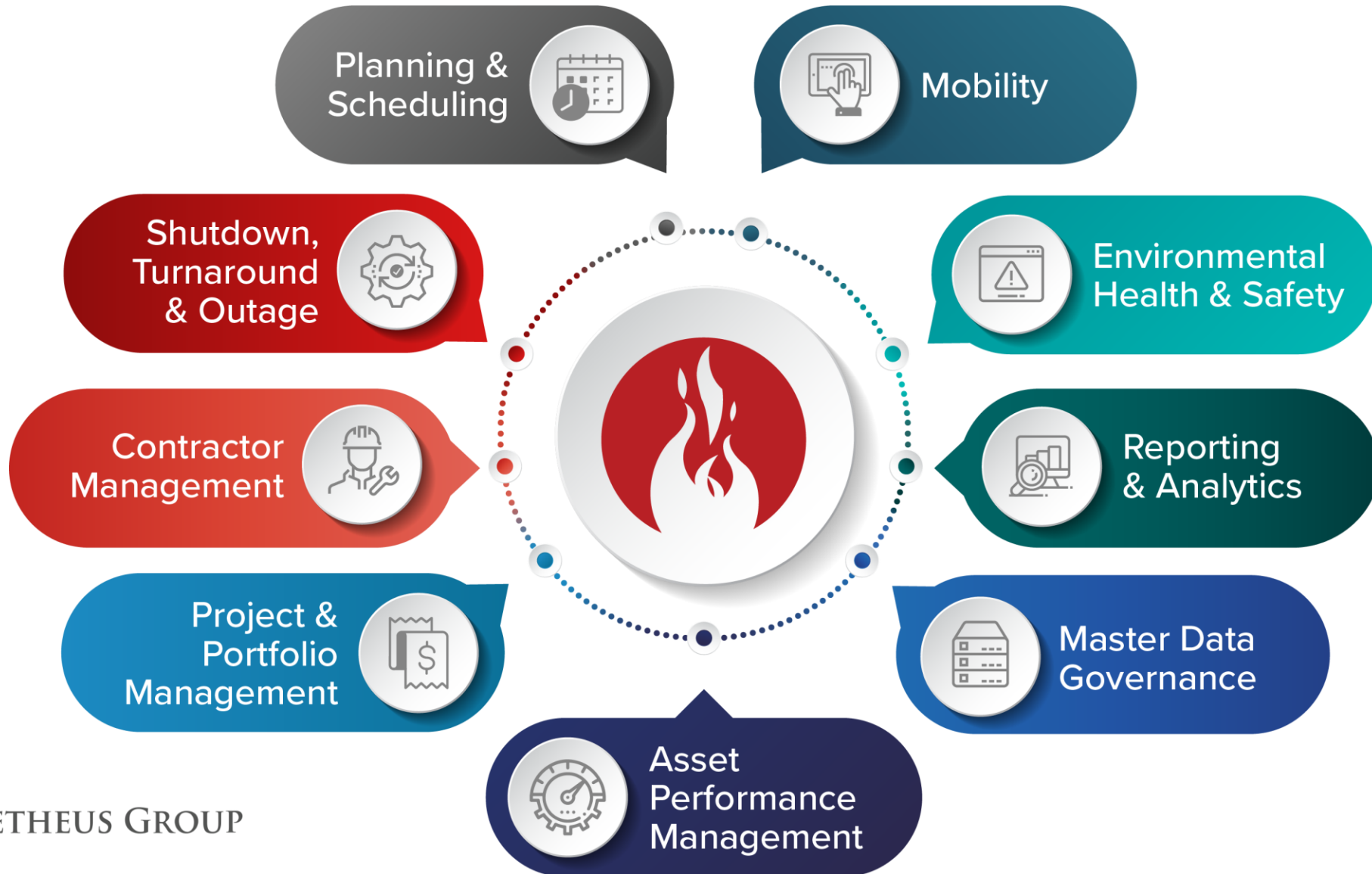
ORACLE® Gold Partner



Key Customers



The Prometheus Platform



Prometheus ePAS



PROMETHEUS GROUP

Reviewing and Identifying Gaps

- Assessing your current permitting process
- Identifying areas for improvement
- Challenges with current permitting systems
 - Lack of visibility and real-time tracking
 - Manual and time-consuming processes
 - Difficulty in enforcing compliance
- Issues with using paper permits
 - Prone to loss, damage, and misplacement
 - Manual data entry and transcription errors
 - Limited approval and collaboration accessibility
- Issues with using digital permits
 - Learning curve and resistance to change
 - Technical issues
 - Data security



Permitting Digitalization

- Is your organization digitizing your current permitting process?
- Does digitizing your current documents make you safer and more efficient?
- What kind of analytics are useful for overall process improvements?
- How are maintenance and contractors involved within the permitting process?



Process Improvements Beyond Removing Paper

- Shifting to a comprehensive digital safe system of work
- Expanding capabilities of permitting beyond PDF editing
- What is the impact to the JSA?
- Modeling our process to show a tree of all desired outcomes



Transitioning From Paper to Digital Permitting

- Creating a path to digital permitting
 - Assessing current needs to rolling out your solution
- Ensuring smooth change management with personnel
 - Involve early and often
 - Training and other learning before implementation
 - Encourage Participation



Additional Ways of Streamlining Safety

- CMMS Integration
 - Create a permit automatically from a work order
 - Link asset hierarchy
- Permit templating
 - Have a template for turnaround events to increase efficiency
 - Easier creation of standard permits
- HIRA
 - Digital library of any work categories, hazards, and controls
 - Reduce the number of permits needed for operations
 - Maintained by the customer



EPAS Digital Permitting Enhancements

- Electronic Permit to Work
- Embedded risk assessments
- Localized customer content management
- Lockbox/Keysafe Management
- Smart P&ID
- Workflow support (e.g., confined space, hot work, etc.)
 - Dynamic rule configuration
- Integrated incident logging
- Audits
- GIS Integrations

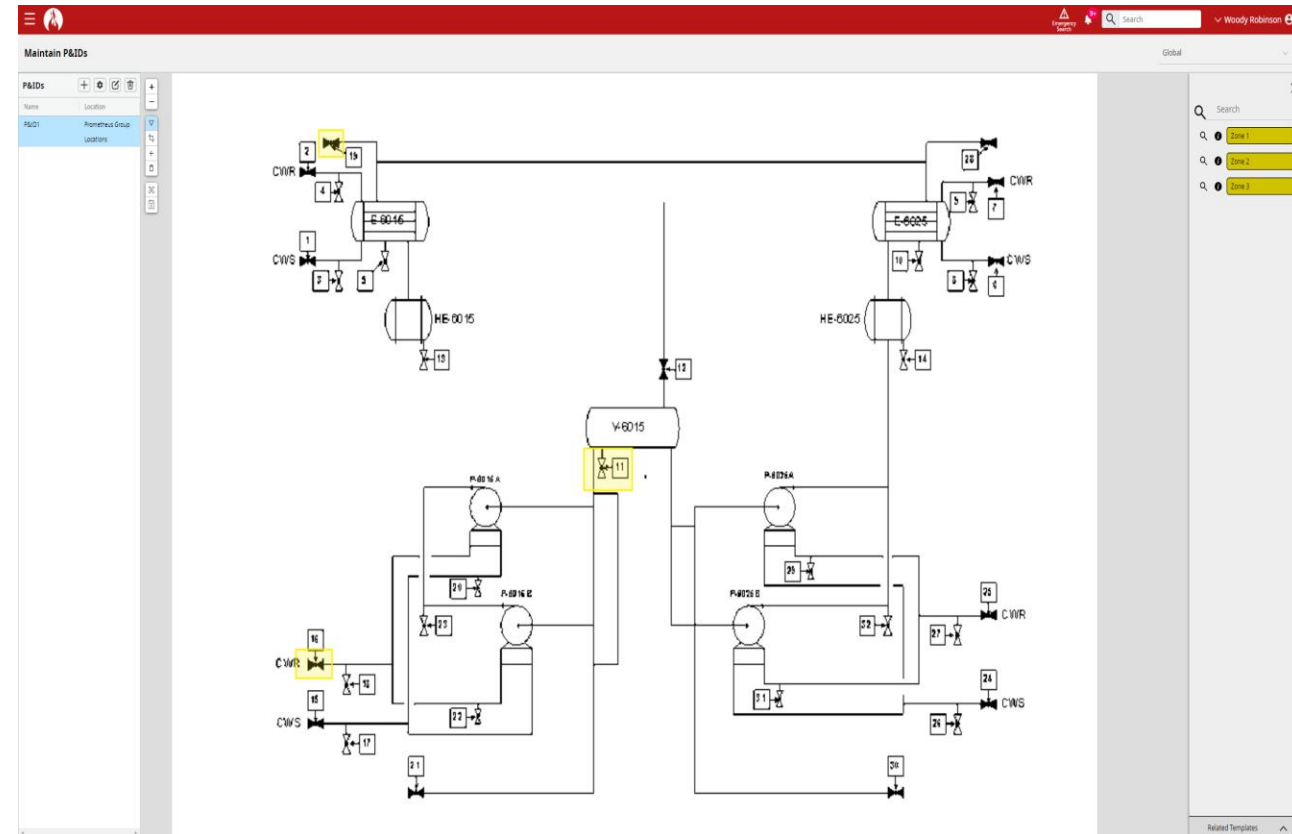


PROMETHEUS GROUP



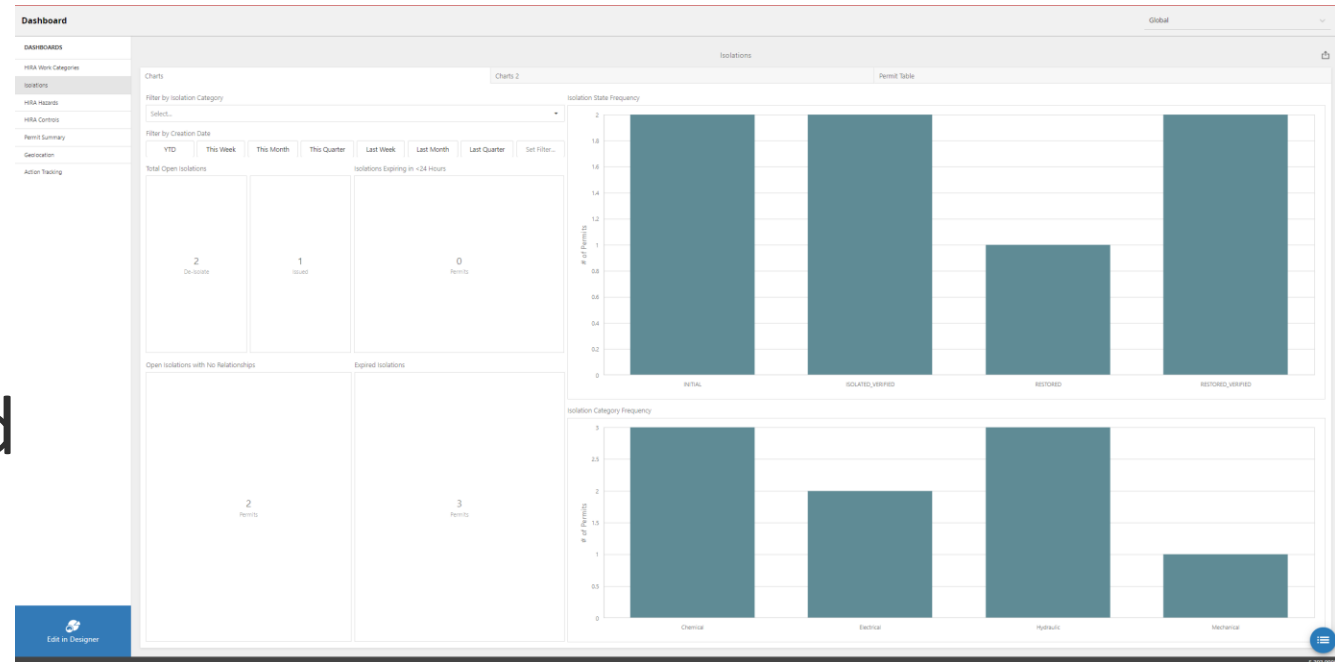
Smart P&ID

- Create Isolations from your P&ID drawings
- Maintain within ePAS with easy redlining and change management
- Upload quickly for fast implementation



Embedded Reporting

- Quickly access reports important to your process
- Configurable to meet the needs of the organization
- Drilldown to different areas of the system to drive insight and visibility



Lockbox/Keysafe Management

- Manage where locks or keys are currently within the site
- Enhance physical lockbox/keysafe process to maintain location and visibility on different isolations and permits
- Enable employees to manage massive lockouts during shutdowns within one screen

The screenshot displays the Prometheus Group Lockbox Management interface. At the top, there is a red header with a menu icon, a profile icon, and the text "[CONFIG20 | Internal Demo - NA]". Below the header, a navigation bar shows the current location "IC GLOBAL-IC-23-3023" and a series of status tabs: "PLANNING" (active), "ISOLATE", "ISSUED", "DE-ISOLATE", "RETURN TO SERVICE", "COMPLETE", and "CLOSE".

The left sidebar, titled "Prometheus Group Locations", includes a "Change Location" button and a dropdown menu with the following options: "Planning", "Plant & Work" (marked with a red '1'), "Isolation", "Relationships", and "Documents".

The main content area features a "Lock Box Select" section with a "Remove" button. Below this, there is an "Isolation (2)*" section containing a table with the following structure:

Isolation Progress	Line Item
Isolation Progress Initial State	Line Item None
Isolation Progress Initial State	Line Item None

Questions?



PROMETHEUS GROUP

Thank You



PROMETHEUS GROUP